



## Bypass Valve for Water Treatment Systems

41102 (Old Model No.: F70B)

41104 (Old Model No.: F70A)

41202 (Old Model No.: F70D)

41204 (Old Model No.: F70C)

## Instruction Manual



**Please read this manual in details  
before using this valve and keep it properly  
in order to consult in the future**

0WRX.466.517

## Catalogue

Notice.....	1
1. Product Overview.....	2
1.1. Main Application & Applicability.....	2
1.2. Product Characteristics.....	2
1.3. Product Structure and Technical Parameters.....	3
1.4. Installation.....	5
2. Application.....	6
2.1. Usage.....	6
2.2. Spare Part and Part No.....	7
3. Warranty Card.....	10

### Notice

- To ensure normal operation of the valve, please consult with professional installation or repairing personnel before use it.
- If there are any of pipeline engineering and electric works, there must be finished by professional at the time of installation.
- Avoid to use valve body or other connectors as support to carry the system.
- Please use this product under the water temperature between 5~50℃, water pressure 0.15~0.6MPa. Failure to use this product under such conditions voids the warranty.
- If the water pressure exceeds 0.6Mpa, a pressure reducing valve must be installed before the water inlet.
- It is suggested to install PPR pipe, corrugated pipe or UPVC pipe, instead of TTLSG pipe.

## 1. Product Overview

### 1.1 Main Application & Applicability

Bypass is mainly used for controlling inlet water bypassing in water treatment systems.

Be suitable for the valves of F63, F65, F68, F69, F79, F82 and so on.

When the water softener system needs to be repaired, you can use the bypass function to supply untreated raw water to the outlet.

For residential softener system, too softened water is not suitable for drinking. In order to improve the hardness of the water, use of the bypass valve, and let part of the raw water flow out directly from the outlet, and mixed with softened water.

### 1.2. Product Characteristics

#### ● Simple structure and reliable sealing

It adopts hermetic head faces with high degree pottery and corrosion resistance for opening and closing. It combines with service, close, bypass and part bypass.

#### ● Easy operation

Can rotate or pull the handle to achieve bypass、 part bypass and softening service function.

#### ● Can internal install flow meter

F70A/F70B/F70C bypass valve can internal install flow meter, and assembled into meter type control valve which with bypass valve.

#### ● Variety of connections

F70A, there are two mutually perpendicular inlets, outlets, based on the need of the inlet and outlet pipeline to connect.

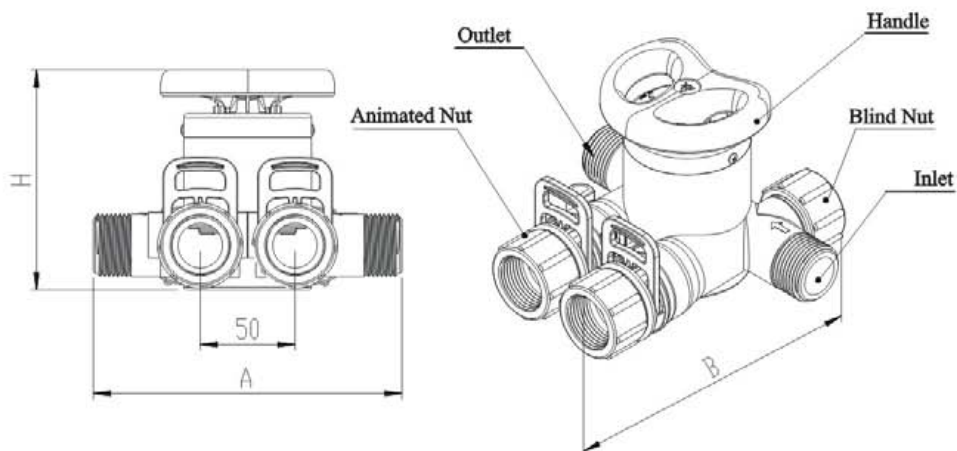
F70C/F70D, there are two kinds of screw threads which are BSPP and NPT for optional.

MODEL: 41102-F70B/41104-F70A/41202-F70D/41204-F70C

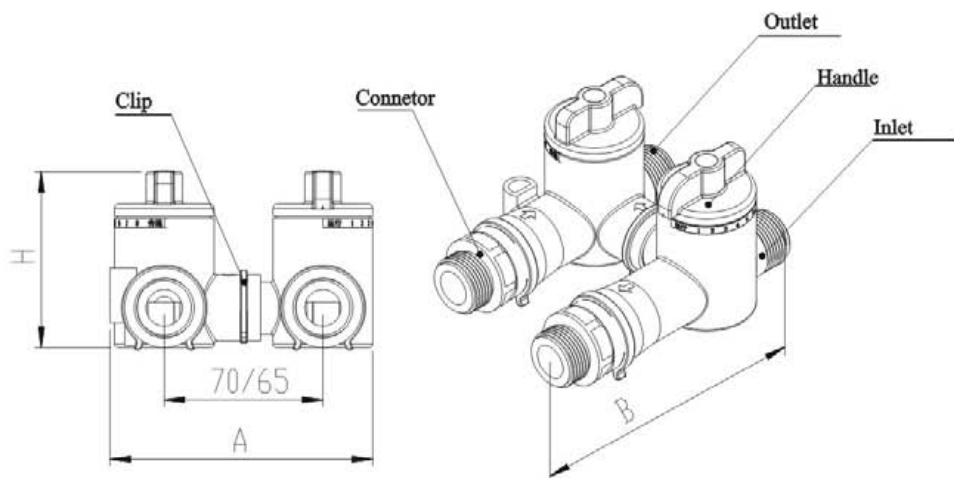
**1.3. Product Structure and Technical Parameters**

A. Product dimension (The appearance is just for reference. It is subjected to the real product)

F70A

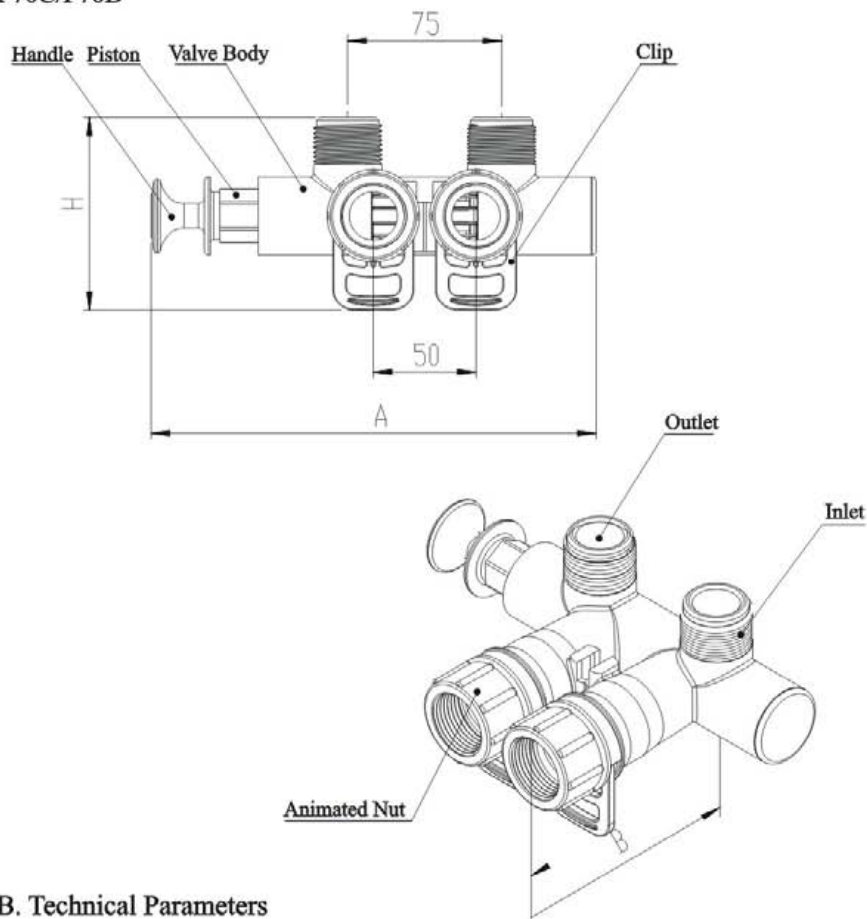


F70B



# MODEL: 41102-F70B/41104-F70A/41202-F70D/41204-F70C

F70C/F70D



## B. Technical Parameters

Nominal pressure: 0.15~0.6Mpa; Suitable temperature: 5°C~50°C

Model	Inlet/Outlet	A (mm) max	B (mm) max	H (mm) max	Flow Rate m <sup>3</sup> /h @0.3MPa
F70A/41104	1" M	165	165	118	4.0
F70B/41102	3/4" M	116/111	140	80	2.0
F70C/41204	1" M	218	126	95	4.0
F70D/41202	3/4" M	220	120	90	2.0

Note: M—Male thread

#### **1.4.Installation**

Perform installation according to the relative pipeline regulations and the specification of Water Inlet, Water Outlet.

Installation steps (Such as F70A with valve F63)

- ① Shown in Figure 1-1, get out the clips and female animated nuts from bypass.
- ② Put the washers into the female animated nuts, and tighten with inlet and outlet of F63 control valve.
- ③ Bypass valve insert to two female animated nuts in parallel, put the clips back to bypass valve body.
- ④ Connect the bypass with water inlet and outlet.

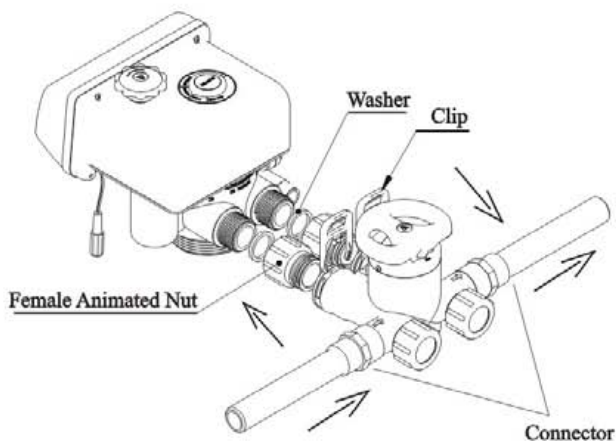
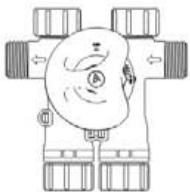
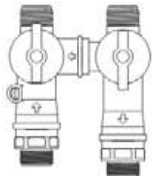
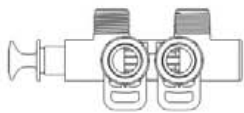
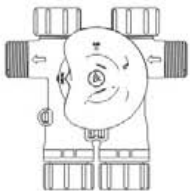
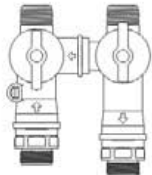
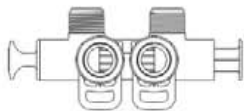
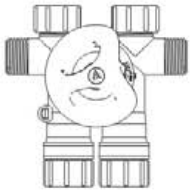
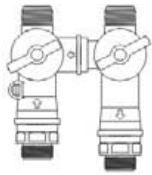
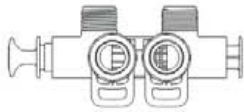
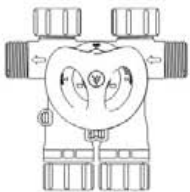
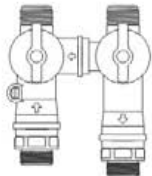



Figure 1-1

## 2. Usage

### 2.1.Usage

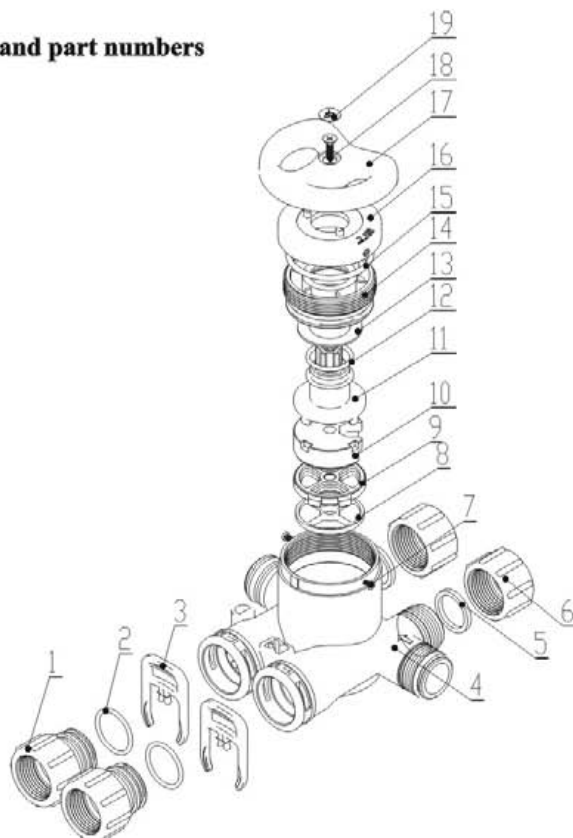
When the bypass valve handle is at the following position, it could achieve the required functions.

Function	F70A	F70B	F70C/F70D
Service			
Bypass			
Part bypass			
Close			

**MODEL: 41102-F70B/41104-F70A/41202-F70D/41204-F70C**

**2.2.Components and part numbers**

F70A parts



**F70A/41104 Components**

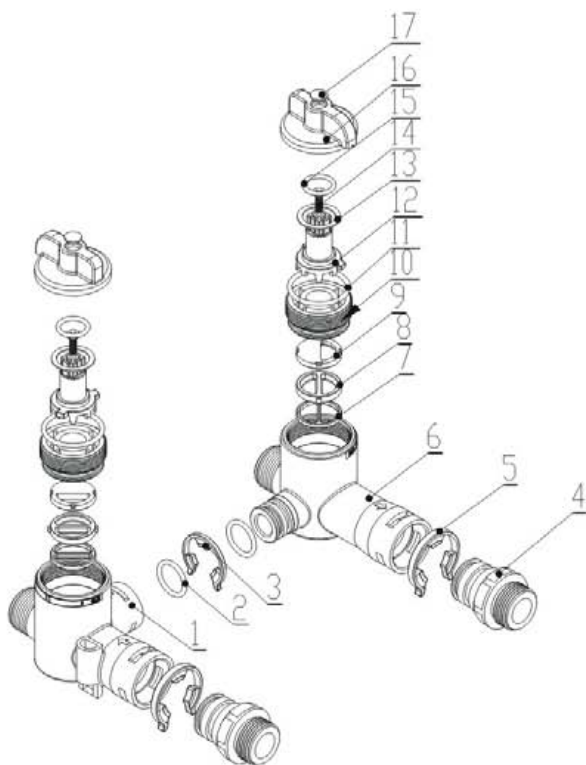
Item No.	Description	Part No.	Quantity
1	Animated nut	8945001	2
2	O-ring	8378081	2
3	Clip	8270004	2
4	Valve body	8022041	1
5	Washers	8371001	2
6	Blind nut	8945002	2
7	Screw, Cross	8909008	2
8	Seal Ring	8370036	1
9	Fixed Disk	8469016	1
10	Moving Disk	8459017	1

Item No.	Description	Part No.	Quantity
11	Shaft	8258009	1
12	O-ring	8378078	2
13	Anti-friction Washer	8216010	1
14	Pressure Nut	8092007	1
15	O-ring	8378107	1
16	Decorative cover	8444016	1
17	Handle	8253011	1
18	Screw, Cross	8909015	1
19	Label	8860001	1



**MODEL: 41102-F70B/41104-F70A/41202-F70D/41204-F70C**

**F70B parts**



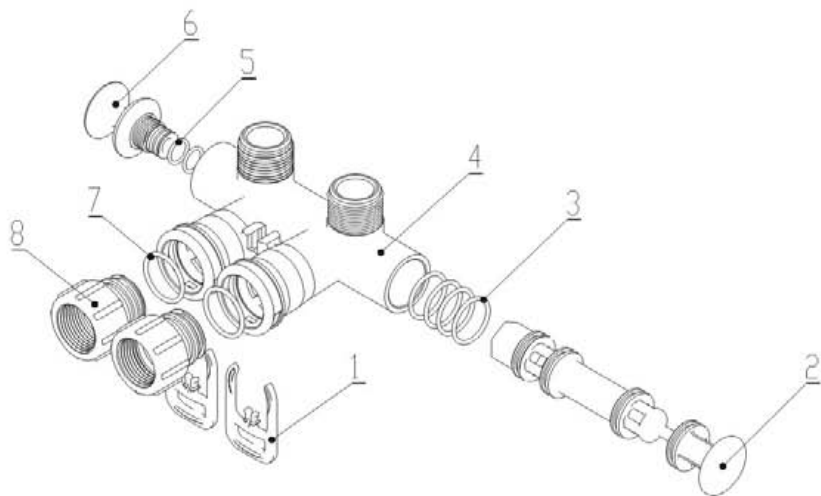
**F70B Components**

Item No.	Description	Part No.	Quantity
1	Valve body	8022043	1
2	O-ring	8378073	1
3	Clip	8270003	1
4	Connector	8458014	2
5	Clip	8270005	2
6	Valve body	8022042	1
7	Seal Ring	8370037	2
8	Fixed Disk	8469017	2
9	Moving Disk	8459018	2

Item No.	Description	Part No.	Quantity
10	Pressure Nut	8092008	2
11	O-ring	8378084	2
12	Shaft	8258010	2
13	Anti-friction Washer	8216009	2
14	Screw, Cross	8909014	2
15	O-ring	8378048	2
16	Handle	8253012	2
17	Decorative button	8323007	2

MODEL: 41102-F70B/41104-F70A/41202-F70D/41204-F70C

F70C, F70D Parts



F70C, F70D Components


Item Number	Description	Part Number		Quantity
		41204/F70C	41202/F70D	
1	Clip	8270004	8270008	2
2	Piston	8450001	8450001	1
3	O-ring	8378078	8378078	4
4	Valve body	8022044	8022145	1
5	O-ring	8378037	8378037	2
6	Handle	8253013	8253013	1
7	O-ring	8378081	/	2
8	Animated nut	8945001	/	2

### 3. Warranty Card

Dear client:

This warranty card is the guarantee proof of RUNXIN brand product. It is kept by client self. You could get the after-sales services from the supplier which is appointed by RUNXIN manufacturer. Please keep it properly. It couldn't be retrieved if lost. It couldn't be repaired free of charge under the below conditions:

1. Guarantee period expired.(One year);
2. Damage resulting from using, maintenance, and keeping that are not in accordance with the instruction.
3. Damage resulting from repairing not by the appointed maintenance personnel.
4. Content in guarantee proof is unconfirmed with the label on the real good or be altered.
5. Damage resulting from force majeure.

Product Name	 Multi-functional Flow Control Valve for Water Treatment Systems			
Model			Code of Valve Body	
Purchase Company Name			Tel/Cel.	
Problem				
Solution				
Date of Repairing		Date of Accomplishment		Maintenance Man Signature

When product need warranty service, please fill in the below content and sent this card together with the product to the appointed suppliers or Runxin company.

End-user Company Name		Tel/Cel.	
Purchase Company Name		Tel/Cel.	
Model		Code of Valve Body	
Problem Description			



---

**WENZHOU RUNXIN MANUFACTURING MACHINE CO.,LTD**

ADD: Jinger Road, Shatou Group, Linjiang, Lucheng District, Wenzhou, Zhejiang, China

Tel: +86-577-88635628 88630038 Fax: +86-0577-88633258

Http://www.run-xin.com Email:sales@run-xin.com