

Please read this manual in details
before using this valve and keep it properly
in order to consult in the future

0WRX.466.530



Disinfection Device

Notice

- To ensure normal operation of the valve, please consult with professional installation or repairing personnel before use it.
- Do not put the device near the hot resource or high humidity, corrosive, vibrative environment, do not leave it outside.
- Do not let children touch or play, because carelessness operating may cause failure working.

1. Product Overview

1.1 Application and Working Area

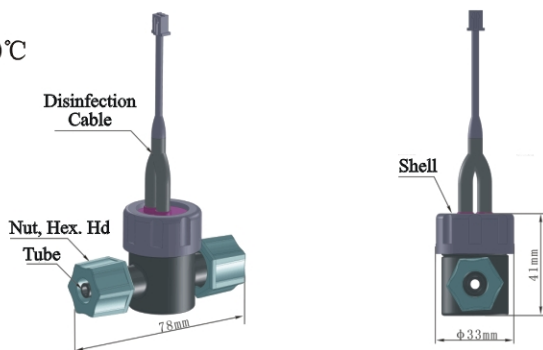
Using disinfection device together with Runxin residential valve in brine draw status, output power DC5V, 200mA, which will electrolyze a part of salt water through disinfection device to produce hypochloric acid disinfect and sterilize the resin.

1.2 Service Condition

Environment Temperature: 5°C ~ 50°C

Relative Humidity: ≤95% (25°C)

1.3 Structure and Size



1.4 Installation

A. Notice

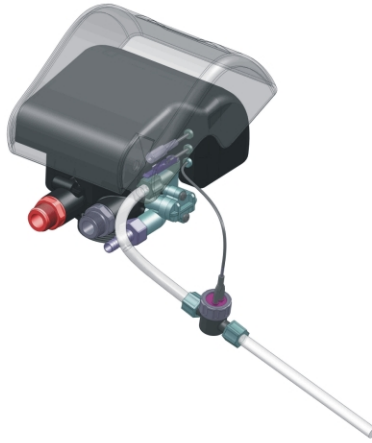
Before installation, read manual carefully, prepare material and tools which needed.

Cable connector must be connected by professional.

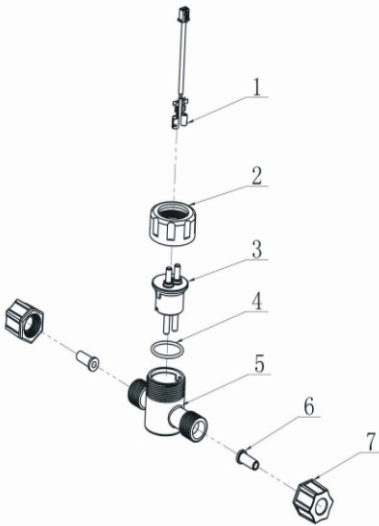
B. Device installation

As below picture shows, insert soft pipes tight by hex nut. The pipe connect brine line connector and brine tank.

Connect the power of device to disinfect connector in valve main board.



2.Components Exploring drawing



Assemble and Code

Item	Description	Part Number	Quantity	Remark
1	Disinfection Cable	5513005	1	
2	Straining Ring	8945003	1	
3	Electrode Fasten	5115004	1	
4	O-ring 20 × 1.8	8378024	1	
5	Shell	8002008	1	
6	Tube	8457004	2	
7	Nut, Hex. Hd	8940001	2	

WENZHOU RUNXIN MANUFACTURING MACHINE CO.,LTD

ADD: Jinger Road, Shatou Group, Linjiang, Lucheng District, Wenzhou, Zhejiang, China

Tel: +86-577-88635628 88630038 Fax: +86-0577-88633258

Http://www.run-xin.com Email:sales@run-xin.com